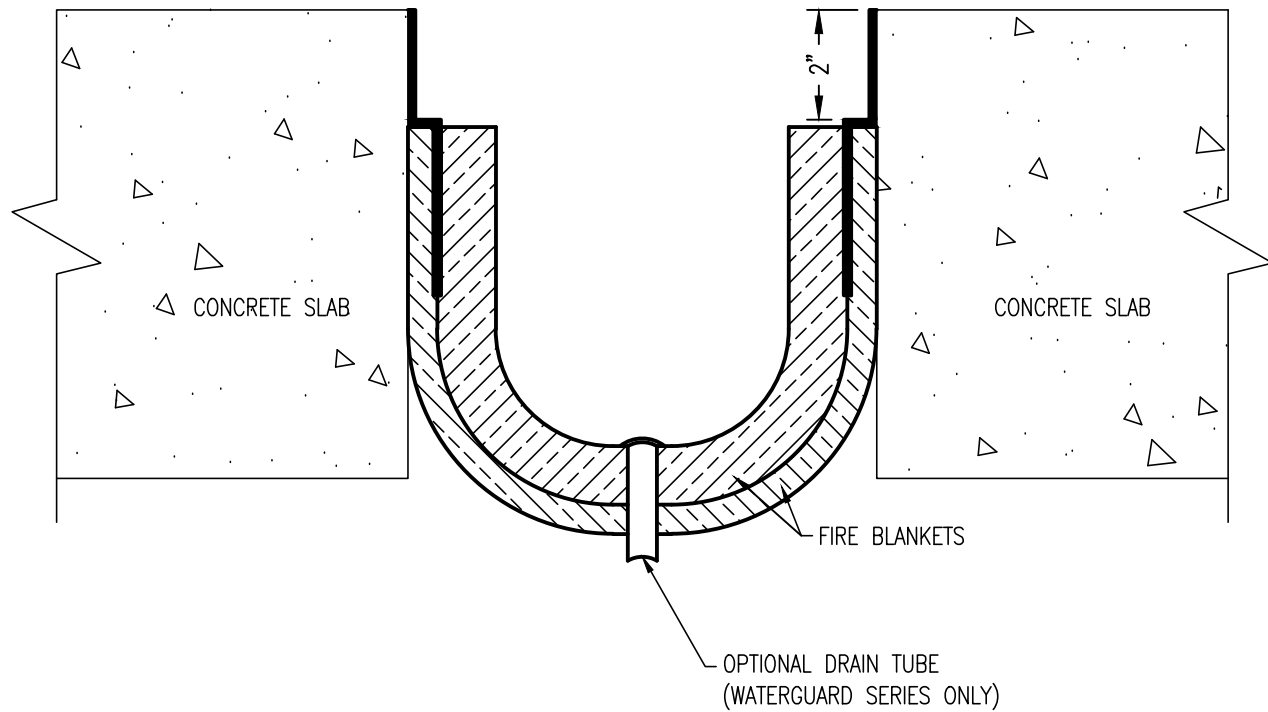




INSIDE MOUNT DROPS 2" DOWN



LISTED BY WARNOCK
 HERSEY U.S.A./C.N.
 MEETS UL 2079, ULC S-115
 ASTM E-1399, ASTM E-1966-01
 & UL AIR LEAK TESTED

 U.S.A - Patent Pending
 Canada - Patent Pending

INSIDE MOUNT FLOOR TO FLOOR FIRE BARRIER

SCALE:	N/A	DRAWN BY:	A. CHMURZYNSKI	DATE:	5/01/2012
--------	-----	-----------	----------------	-------	-----------



803-B Walden Ave. Buffalo, New York 14221
 Phone: (716) 332-4699 Fax: (716) 873-1839
 E-Mail: Fireline520@aol.com
www.FireLine520.com

FireLine 520 LLC. Reserves the right to amend or withdraw any information contained herein without notice and will not be responsible for any inaccuracy or ambiguity of any information contained herein. The information contained herein is the proprietary property of Fireline 520 LLC. No portion of it may be reproduced in any means or used in any form except for the purpose for which it was furnished. All Rights Reserved. Copyright 2007